

ILLUSIA MECH 18350

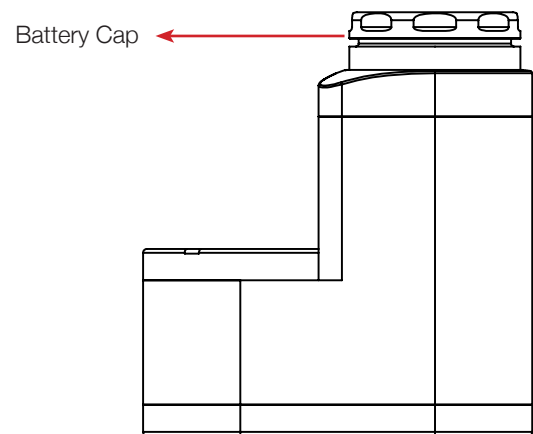
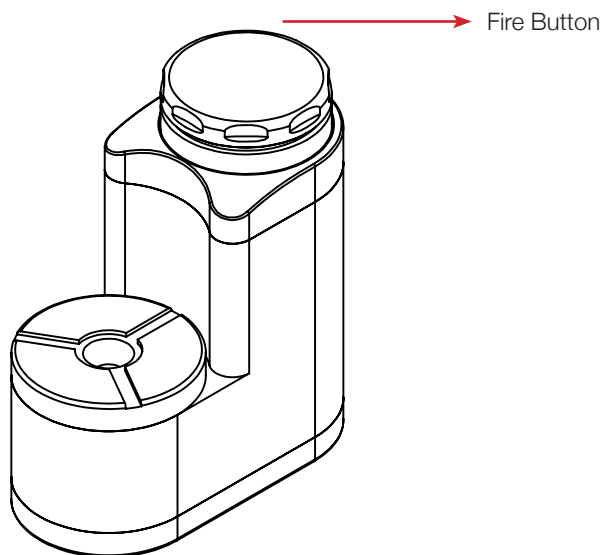
USER MANUAL



Thank you for choosing Fakirs Illusia Mech Mod and joining the Fakirs family.

In order for you to have better use of all the functions of this product, please carefully read the operation notes and functional instructions before firstly use.

1. FEATURES



Size: 25 mm

Single 18350 Li-ion battery operation

Fakirs Illusia Mech is an unregulated mechanic mod.



2. BATTERY INSTALLATION

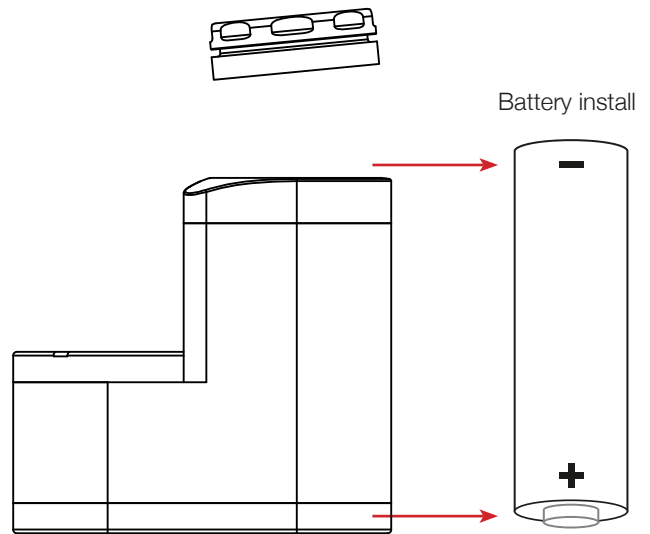
Fakirs Illusia Mech is operated with a single 18350 size Li-ion flat-top battery. Use a high rate Li-ion battery that can output a continuous discharge rating of minimum 10 Amps from respected, high quality manufacturers.

Avoid to use no-name products.

Unscrew the battery cap, place the battery with its positive side facing down negative side facing up and finally screw down the battery cap.

When the device is left unattended and not in use, we highly recommend to always disconnect the atomizer and/or battery.

Make sure your batteries aren't overcharged or undercharged under no circumstances.



3. OPERATION

Press the button on top of the battery cap to use. When pressed, the switch plate touches the battery; which completes the circuit and conducts the electricity directly to the 510 connector.

The firing button is equipped with a lock. Rotate the button counter clockwise to lock. Rotate it clockwise to unlock.

Make sure to periodically check and clean the switch as necessary as arcing between the firing pin and the battery may cause buildup and drop in performance. Periodically check and clean the air venting holes.

4. WARNINGS

Due care and attention must be followed when using this device. Mechanical mods are for experienced vapers with access to multimeter (Volt, Amps, Ohms etc.) and an extensive knowledge of Ohms Law, Watts Law, battery safety and how general electricity works along with access to the appropriate safety tools. Please ensure care is taken when using this device as to not cause damage nor harm to the atomizer, your battery, the vaping device, yourself, others, or personal property. Use at your own risk

The manufacturer is not responsible for any damage or personal injury caused by inappropriate, incorrect or irresponsible use of the device.

- Before use, please read the manual carefully!
- Not suitable for children. Please keep the device out of reach of children!
- Keep the device away from heat sources, fire, damp conditions and water.
- Do not drop, throw or immerse the device in water.
- Use proper coil material and batteries.
- Make sure your batteries aren't overcharged or undercharged.
- Do not use this product for other purposes except only for vaping.
- When the device is left unattended and not in use, always disconnect the atomizer and/or battery from the device.
- Do not attempt to repair the product by yourself as damage or personal injury may occur.



5. WARRANTY

Fakirs Illusia Mech is covered by a six months limited warranty from the date of your retail purchase. The warranty refers to the error free operation of the electronics hardware and software during normal use. If nevertheless an erroneous operation is detected, Fakirs will take care about within the warranty period after purchase. The customer is therefore requested to keep the invoice.

In case the device shows a permanent electric fail, the user is free to send the device back to Fakirs for repair without cost. The customer is requested to check the devices housing for scratches or marks, prior to any use. Fakirs cannot accept claims after any use of the mod. In the case the customer is not sure whether the malfunction is covered by the warranty, please contact Fakirs by email prior to sending back the device.

If a sent back defective device is not covered by the warranty, Fakirs will give the customer a quote for repair, before any repair action takes place. The postal fee or shipping charge from the customer to Fakirs is not covered by the warranty in any case.

Warranty does not apply to products purchased through unauthorized vendors.

The warranty does not cover:

- Defects or fails due to misuse, contamination by liquid or dirt, damage, tampering, lack of care, exposure to temperatures higher than 45°C or lower than 0°C
- Scratches or marks due to normal wear and use
- Defects due to the use of faulty or incorrect batteries

The warranty voids, when:

- Dropping the device on the floor (*)
- Attempting to open or opening the device other than the battery cap
- Maintaining or repair by unauthorized persons
- Use of any illegal or prohibited products with this device

(*) Do not use a device which is dropped, as the electronics could have been damaged. Contact Fakirs.

6. BATTERY DISPOSAL

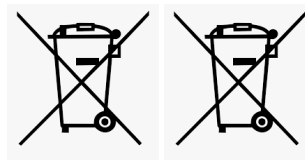
Fakirs Illusia Mech is a rechargeable battery powered product. The rechargeable battery lasts long, but wears out nevertheless. Li-Ion batteries may not be disposed in household waste.

Customers are obligated by law to dispose wear out batteries to appropriate battery disposal points.

7. MOD DISPOSAL

This product should not be treated as household waste, but according to WEEE (waste electrical/electronic equipment) should be reused or recycled.

Thank You!





www.fakirsmods.com

info@fakirsmods.com