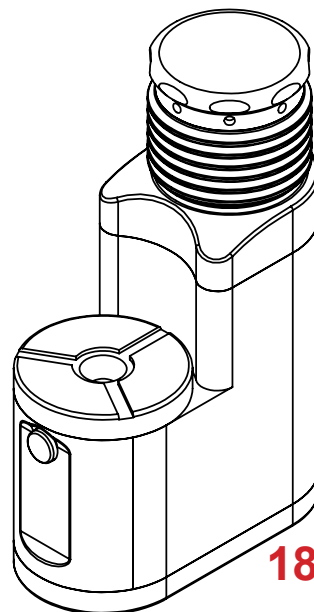


21700



18500

# ILLUSIA-B

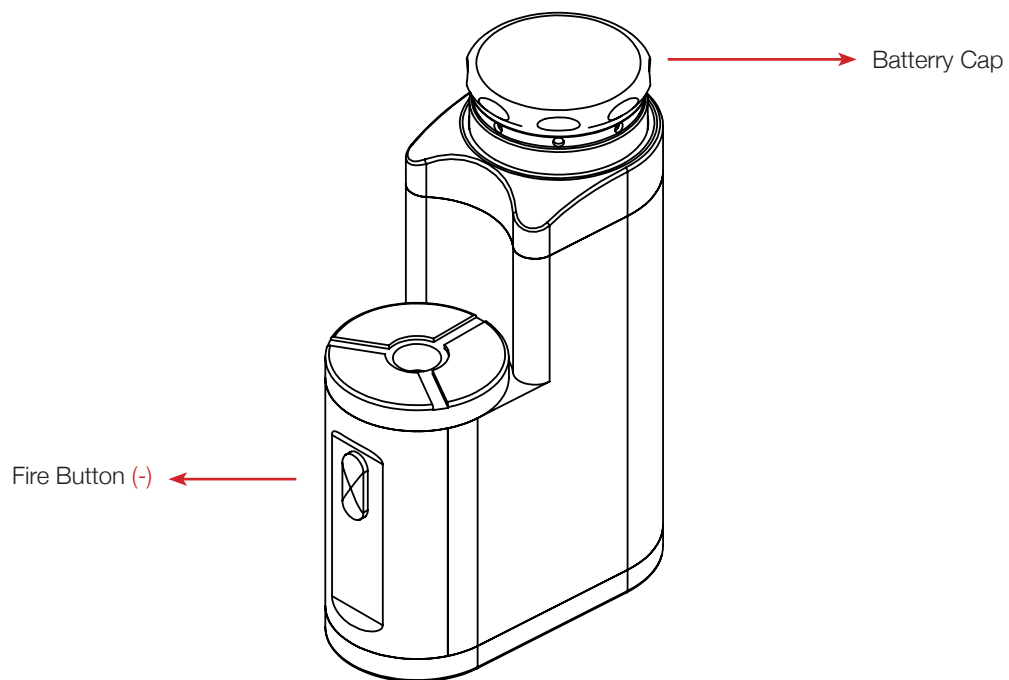
## USER MANUAL



**Thank you for choosing Fakirs Illusia-B and joining the Fakirs family.**

In order for you to have better use of all the functions of this product, please carefully read the operation notes and functional instructions before firstly use.

## 1. FEATURES



Single 18500, 18650, 20700 or 21700 Li-ion battery operation (Depending on the model)  
Power/firing/status LED indicator  
LED indicator stealth option

Fakirs Illusia-B is equipped with Omega Vaper's Bomber Pro 1 MOSFET.

## 2. BATTERY INSTALLATION

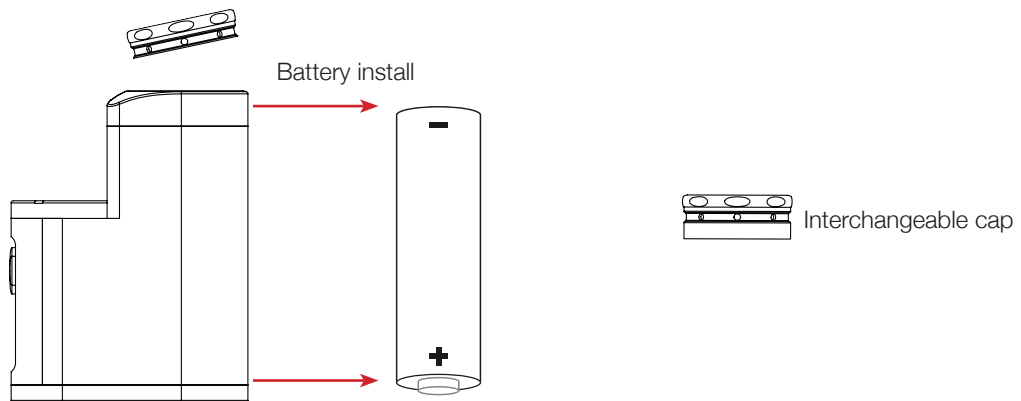
**Fakirs Illusia-B** can be operated with either a single 18500, 18650, 20700 or 21700 size Li-ion flat-top battery, depending on the device model. Use a high rate Li-ion battery that can output a continuous discharge rating of minimum 20 Amps from respected, high quality manufacturers. Avoid to use no-name products.

When the device is left unattended and not in use, we highly recommend to always disconnect the atomizer and/or battery.

### 2.1 ILLUSIA B 21700

**Fakirs Illusia-B 21700** Model can be operated with either a single 18650, 20700 or 21700 size Li-ion flat-top battery. Device comes with two battery caps. The smaller battery cap is devoted to be used with 18650 size batteries. Larger battery cap is devoted to be used with 20700 or 21700 size batteries. Choose the battery cap suitable for your battery size.

Unscrew the battery cap, place the battery with its positive side facing down negative side facing up and finally screw down the battery cap.

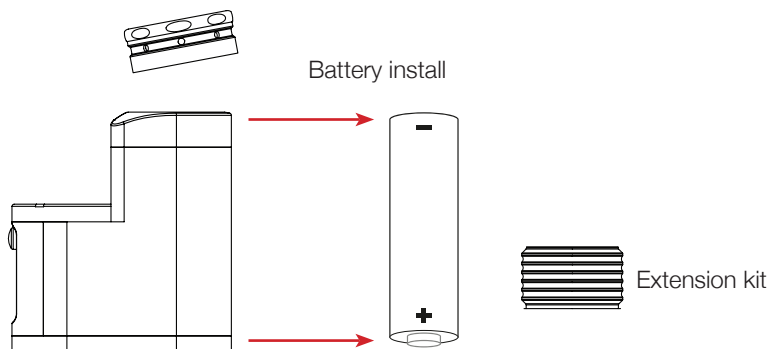


### 2.2 ILLUSIA B 18500

**Fakirs Illusia-B 21700** Model can be operated with either a single 18500 or 18650 size Li-ion flat-top battery. Device comes with an extender piece which is devoted to be used with 18650 size batteries.

Unscrew the battery cap and screw down the extender piece to the battery slot to use the device with 18650 size batteries. Device can be used with 18500 size batteries without the extender in place. Choose the option suitable for your battery size.

Unscrew the battery cap, place the battery with its positive side facing down negative side facing up and finally screw down the battery cap.





### 3. OPERATION

**Fakirs Illusia-B** is equipped with a bi-color LED placed inside the firing button, which provides data and status information to the user. Press the fire button three short times (3 clicks) to lock or unlock the device. User is notified by colorful flashing of the LED. During firing, purple LED lights up. Press the fire button five short times (5 clicks) to activate and de-activate stealth mode. User is notified by purple – red flashes. Important: When the stealth mode is activated, the LED will not light up during firing! Note: We recommend use of a minimum 0,20 Ohm total coil resistance.

### 4. EQUIPPED FUNCTIONS

- Automatic cut-off:** Automatic cut-off control after 12 seconds of firing time.
- Reverse battery protection:** Function to cut off reverse current and not conduct electricity.
- No atomizer notification:** If the device does not detect an atomizer, it will notify the user by flashing blue LED when fired.
- Short circuit protection:** In case a short- circuit inside the connected atomizer occurs, the user will be notified by flashing red LED when fired.
- Low battery warning:** Device warns the user when the battery voltage falls below 3.0 V.
- Low battery cut-off function:** When the battery voltage falls below 2.65V, device warns the user and does not fire.

### 5. LED READOUT LEGEND

- Red and blue fast cycle (looks purple):** Firing
- Fast blue flashing:** No Atomizer detected
- Red and blue flashing alternately for 3 times:** Lock or unlock engaged
- Fast red flashing:** Short circuit protection
- Slow flashing red and fixed blue:** Low battery warning - at 3.0V under load
- Fast flashing red and slow flashing blue:** Battery under 2.65V (Depleted). Cut-off protection occurring.

### 6. WARNINGS

Due care and attention must be followed when using this device. Mechanical mods are for experienced vapers with access to multimeter (Volt, Amps, Ohms etc.) and an extensive knowledge of Ohms Law, Watts Law, battery safety and how general electricity works along with access to the appropriate safety tools. Please ensure care is taken when using this device as to not cause damage nor harm to the atomizer, your battery, the vaping device, yourself, others, or personal property. Use at your own risk. The manufacturer is not responsible for any damage or personal injury caused by inappropriate, incorrect or irresponsible use of the device.

- Before use, please read the manual carefully!
- Not suitable for children. Please keep the device out of reach of children!
- Keep the device away from heat sources, fire, damp conditions and water.
- Do not drop, throw or immerse the device in water.
- Use the proper operating mode according to your atomizer and coil material.
- Do not use this product for other purposes except only for vaping.
- Switch off the device during transport to avoid unintentional firing.
- Do not attempt to repair the product by yourself as damage or personal injury may occur.



## 7. WARRANTY

**Fakirs Illusia-B** is covered by a six months limited warranty from the date of your retail purchase. The warranty refers to the error free operation of the electronics hardware and software during normal use. If nevertheless an erroneous operation is detected, Fakirs will take care about within the warranty period after purchase. The customer is therefore requested to keep the invoice.

In case the device shows a permanent electric fail or if a software bug is detected, the user is free to send the device back to Fakirs for repair without cost. The customer is requested to check the devices housing for scratches or marks, prior to any use. Fakirs cannot accept claims after any use of the mod. In the case the customer is not sure whether the malfunction is covered by the warranty, please contact Fakirs by email prior to sending back the device.

If a sent back defective device is not covered by the warranty, Fakirs will give the customer a quote for repair, before any repair action takes place. The postal fee or shipping charge from the customer to Fakirs is not covered by the warranty in any case.

Warranty does not apply to products purchased through unauthorized vendors.

The warranty does not cover:

- Defects or fails due to misuse, contamination by liquid or dirt, damage, tampering, lack of care, exposure to temperatures higher than 45°C or lower than 0°C
- Scratches or marks due to normal wear and use
- Defects due to the use of faulty or incorrect batteries

**The warranty voids, when:**

- Dropping the device on the floor (\*)
- Attempting to open or opening the device other than the battery cap
- Maintaining or repair by unauthorized persons
- Use of any illegal or prohibited products with this device

(\*) Do not use a device which is dropped, as the electronics could have been damaged. Contact Fakirs.

## 8. BATTERY DISPOSAL

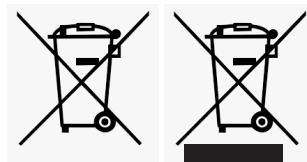
Fakirs Illusia-C is a rechargeable battery powered product. The rechargeable battery lasts long, but wears out nevertheless. Li-Ion batteries may not be disposed in household waste.

Customers are obligated by law to dispose wear out batteries to appropriate battery disposal points.

## 9. MOD DISPOSAL

12This product should not be treated as household waste, but according to WEEE (waste electrical/electrical equipment) should be reused or recycled.

**Thank You!**





[www.fakirsmods.com](http://www.fakirsmods.com)

[info@fakirsmods.com](mailto:info@fakirsmods.com)